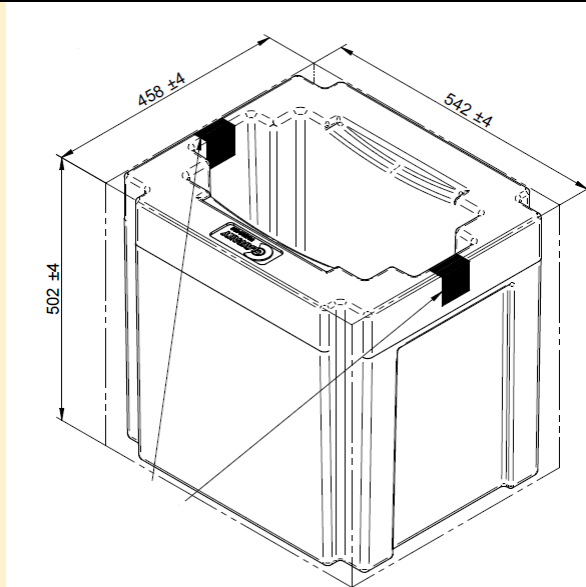
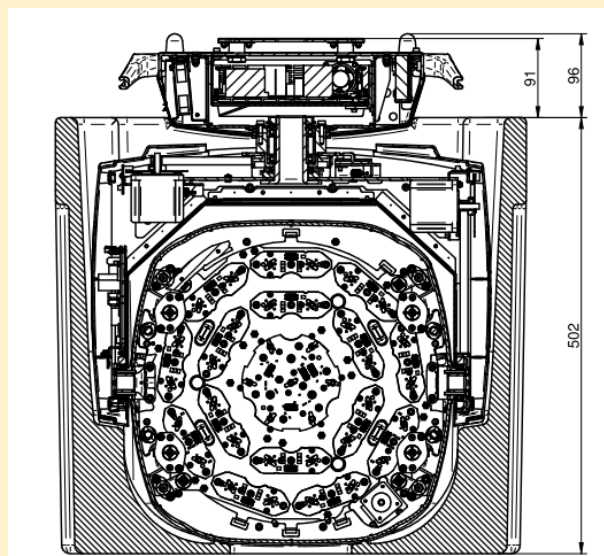


Foam Shell part number	Material	Fixture
F21291/001	EPP	A.leda B-Eye K20
F21257	PU	A.leda B-Eye K20 A.leda B-Eye K20 CC
F21227	PU	A.leda Wash K20 A.leda Wash K20 CC A.leda Wash K20 TW A.leda Wash K20 W

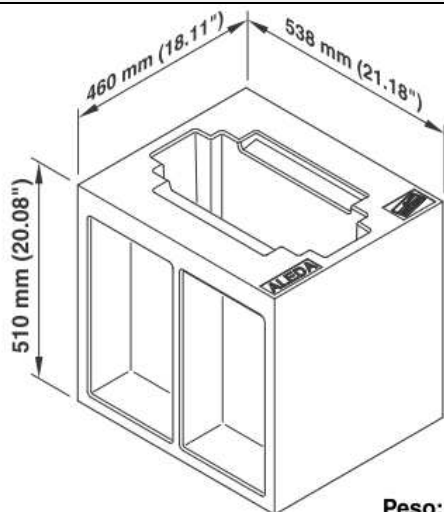
F21291/001 Foam Shell dimensions



Weight: 2.4 Kg



F21257 / F21227 Foam Shell dimensions



Peso: circa 7,7 Kg

