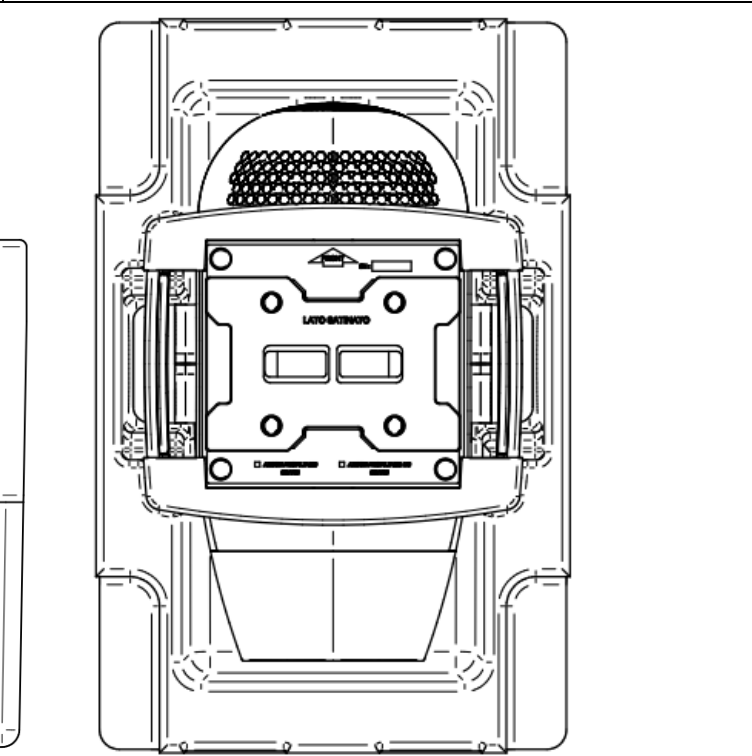
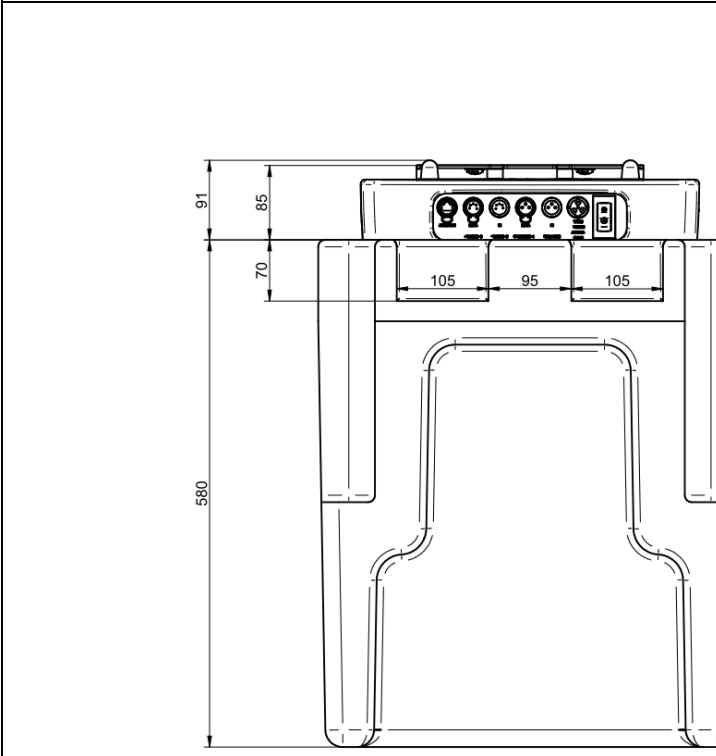
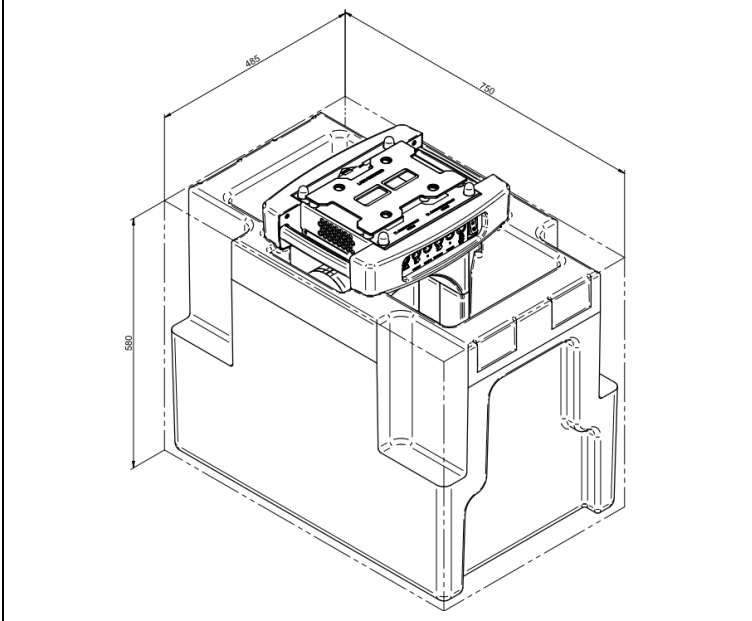
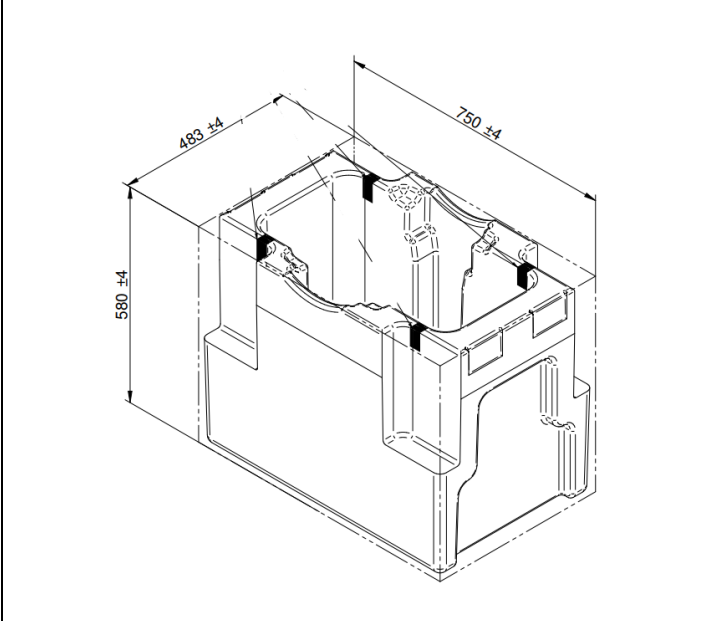


EPP Foam Shell part number	
F21310/001	Foam Shell AXCOR PROFILE/WASH 600

Foam Shell dimensions Axcor Profile/Wash 600 series



Flight case dimensions (F21311)

The reported part number of flight case is to be intend with 2 included foam shell.

