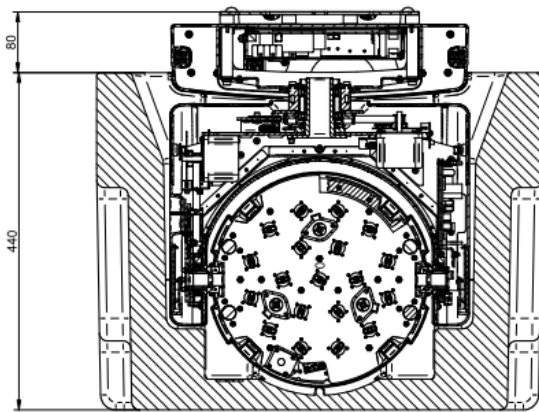
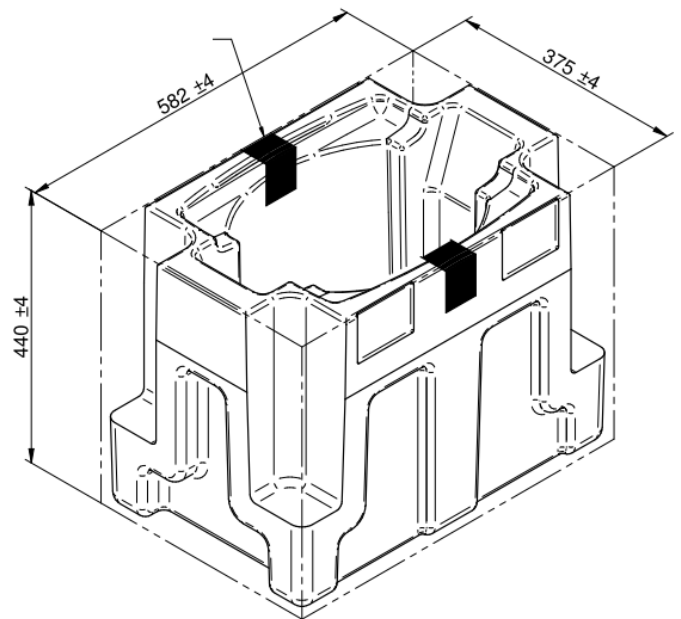
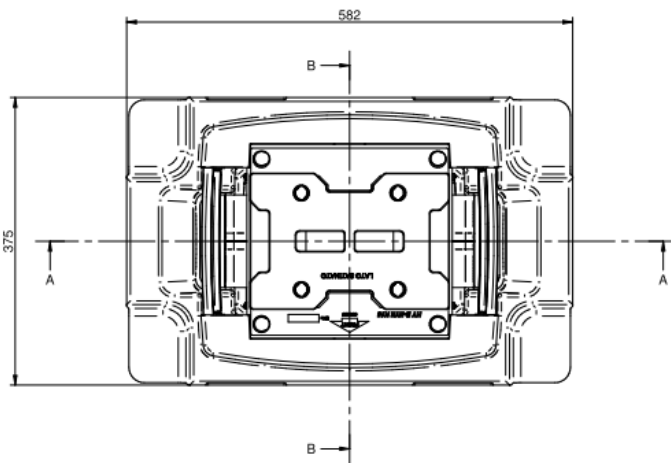
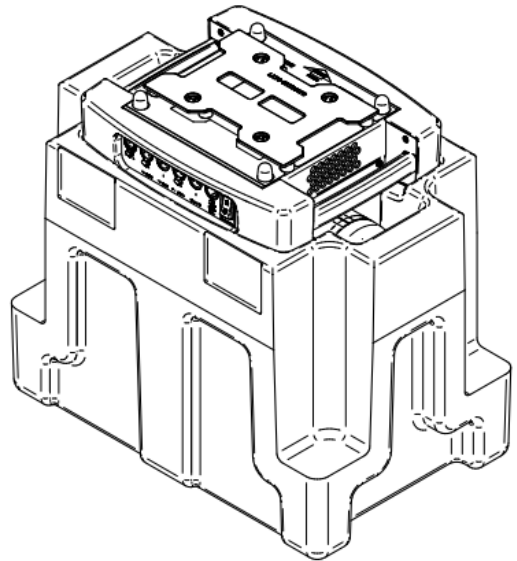


| EPP Foam Shell part number | |
|----------------------------|-------------------------|
| F21314/001 | Foam Shell HY B-EYE K15 |

Foam Shell dimensions HY B-EYE K15



SEZIONE A-A



Flight case HY B-EYE K15 - CF1002

The part number CF1002 of flight case is to be intended with 4 included foam shell

