
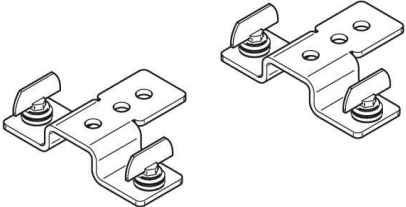
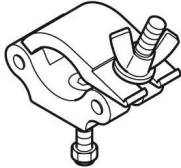
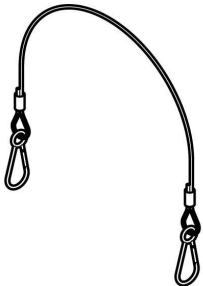
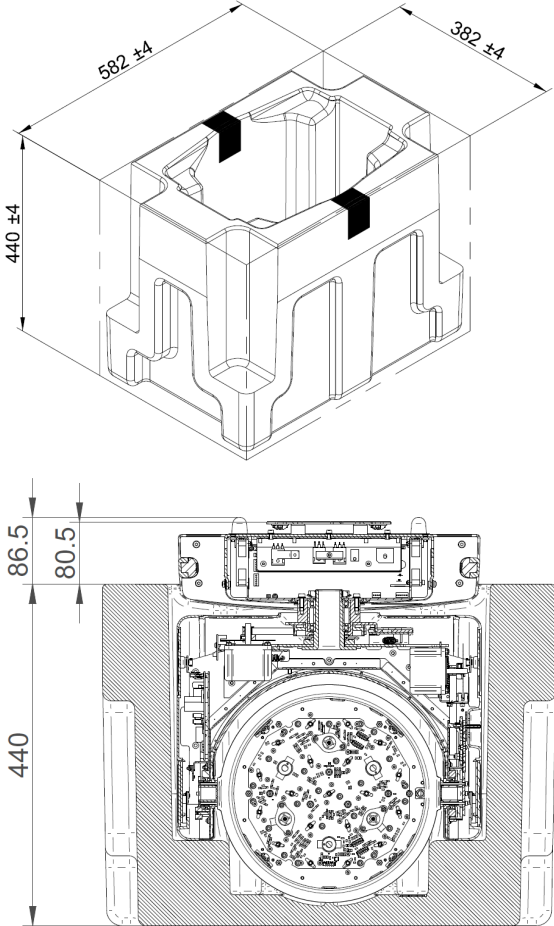
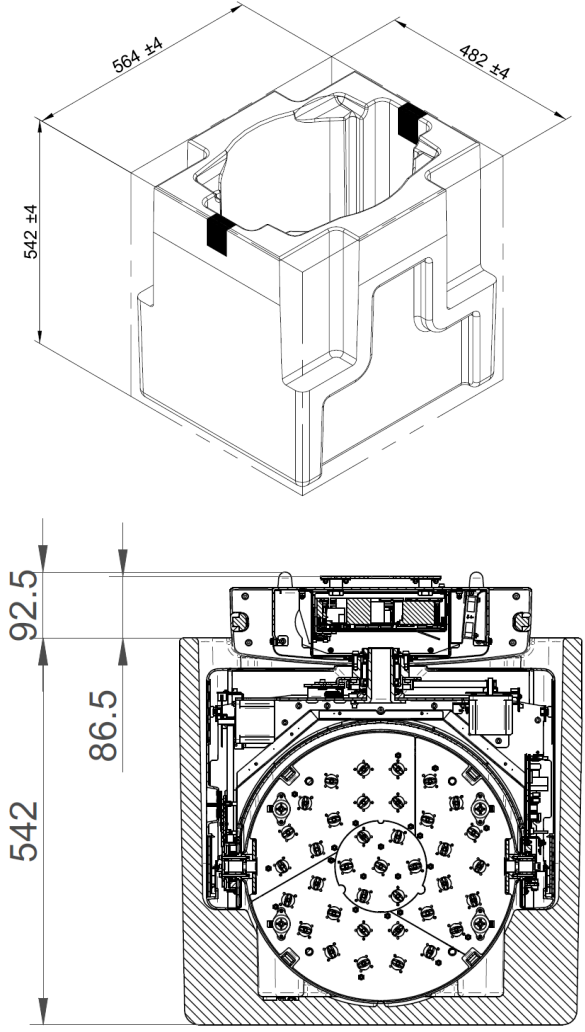
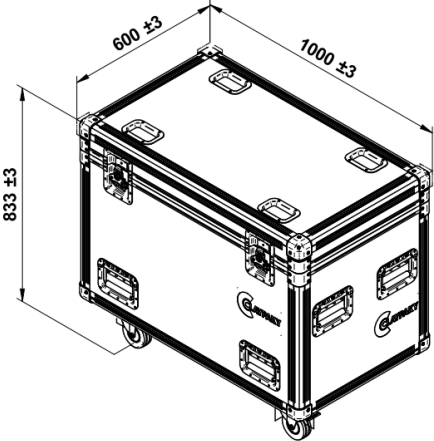
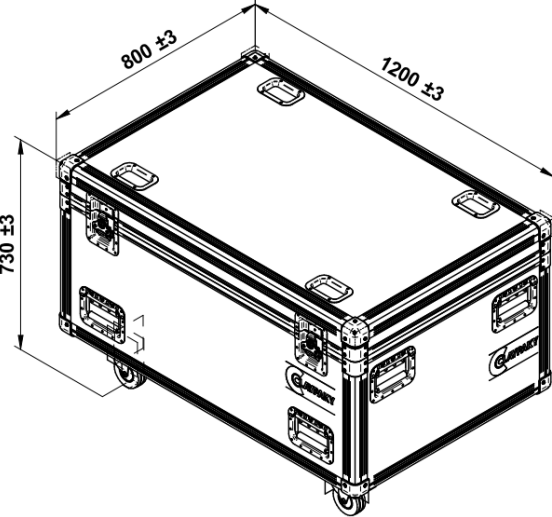
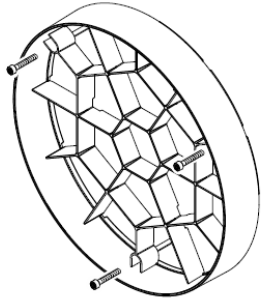
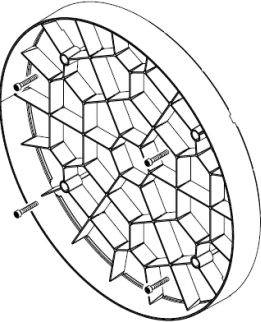
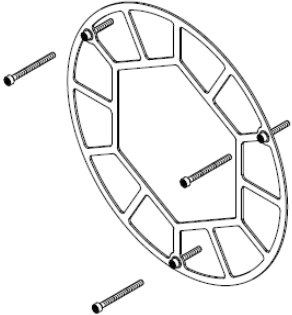


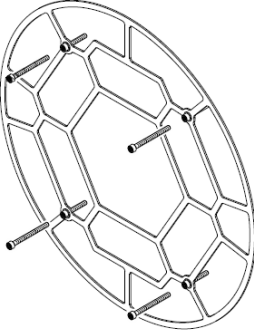
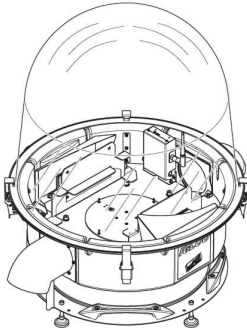
ACCESSORIES	Code	Q.ty	Image	Note
Power cable for K-EYE K10-K20 (STANDARD)	CAB03D/801 CAB03D/802 (ETL VERSION)	1		
Omega bracket (STANDARD)	183102/805	2		The code 183105/805 is refer to only one piece.
Clamps (OPTIONAL)	C21070	2		
Safety cable (OPTIONAL)	105041/003	1		Ø4mm, Lenght 680mm

ACCESSORIES	Code	Q.ty	Image	Note
<p>Foam shell for K-EYE K10 (OPTIONAL)</p>	<p>F21288/001</p>	<p>1</p>		<p>EPP material</p>

ACCESSORIES	Code	Q.ty	Image	Note
<p>Foam shell for K-EYE K20 (OPTIONAL)</p>	<p>F21286/001</p>	<p>1</p>		<p>EPP material</p>

ACCESSORIES	Code	Q.ty	Image	Note
<p>Flight case for K-EYE K20 (OPTIONAL)</p>	<p>F21289</p>	<p>1</p>		<p>It is for two fixtures and also include the two foamshell.</p>
<p>Flight case for K-EYE K10 (OPTIONAL)</p>	<p>F21292</p>	<p>1</p>		<p>It is for four fixtures and also include the four foamshell.</p>

ACCESSORIES	Code	Q.ty	Image	Note
<p>Top-Hat Kit for K-EYE K10 (OPTIONAL)</p>	C21096	1		
<p>Top-Hat Kit for K-EYE K20 (OPTIONAL)</p>	C21097	1		
<p>Filter/Gel holder Kit for K-EYE K10 (OPTIONAL)</p>	C21094	1		

ACCESSORIES	Code	Q.ty	Image	Note
Filter/Gel holder Kit for K-EYE K20 (OPTIONAL)	C21095	1		
IGLOO (OPTIONAL)	C61199 C61197 C61196	1		C61199 WL (Wireless DMX) C61197 EASY (No Wireless DMX) C61196 ECO