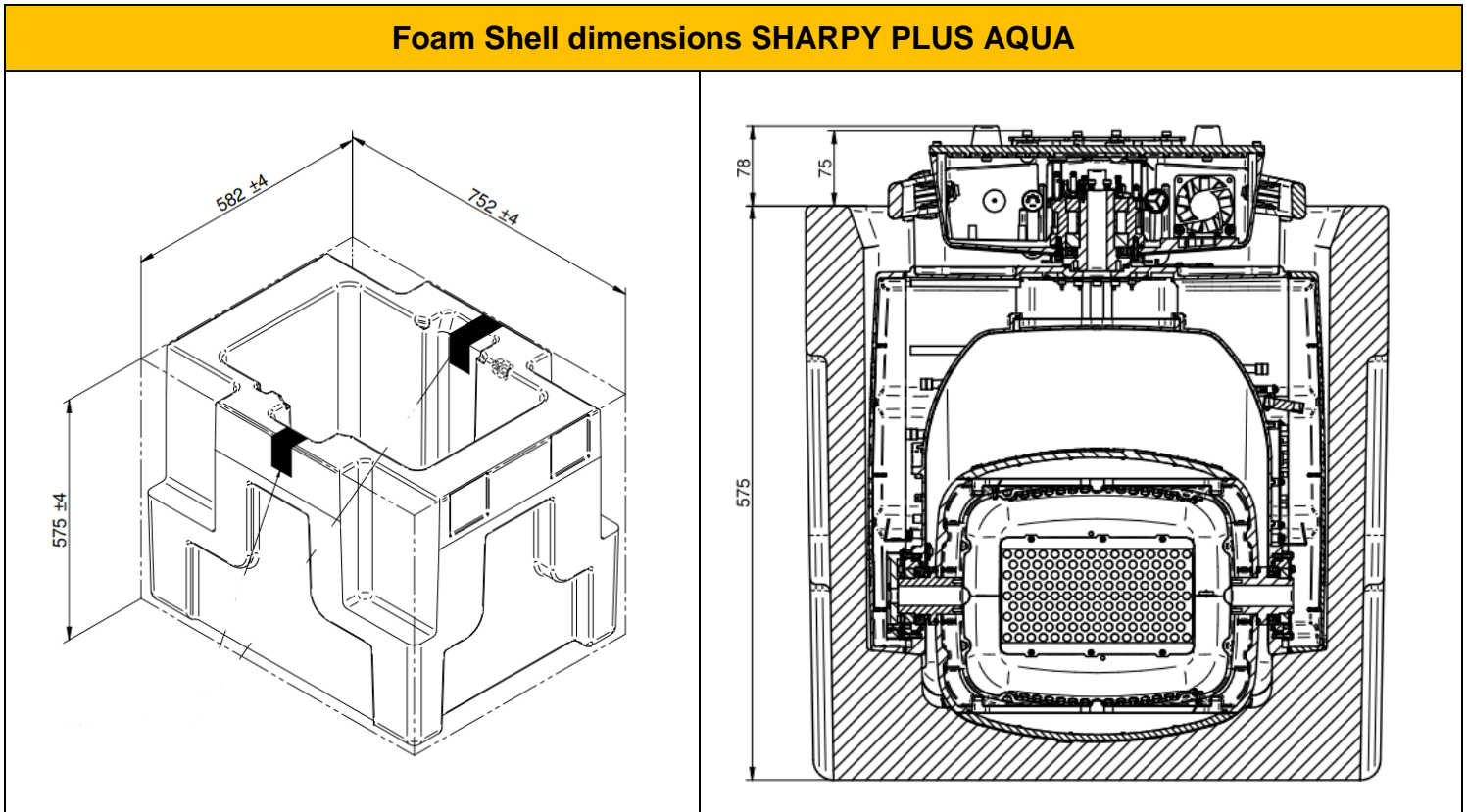


EPP Foam Shell part number	
F21319/001	Foam Shell SHARPY PLUS AQUA

Foam Shell dimensions SHARPY PLUS AQUA



Flight case dimensions and part number

The part number CF1005 of flight case is to be intended with 2 included foam shell

