



Otello 8 HD VariWhite

Product code: F044G000P

KEY FEATURES

- Fresnel lens
- HD electronics and LCD display
- Motorized zoom (manual / PO version available)
- Continuously variable CCT from 2.800 to 6.500 K (CRI avg. > 94)
- Electronic 16 bit dimming with 4 selectable curves (Exponential, Logarithmic, Linear and Halo) digitally processed at 20 bit
- Fan setting with 4 different options (Low, Auto, Studio or DMX regulated)
- Guaranteed flicker-free



SPECIFICATIONS

- CCT proportional control from 2.800 to 6.500 K
- Fresnel lens (diameter: 200 mm / 7.87 in)
- HD electronics and LCD display
- Motorized zoom range from 14° to 81° (manual / PO zoom available)
- Electronic 16 bit dimming with 4 selectable curves (exponential, logarithmic, linear and halo) digitally processed at 20 bit
- Synchronized, random or pulse electronic strobe
- Guaranteed flicker-free operation (20.000 Hz LED refresh rate)
- Fan setting with 4 different options (low, auto, studio or DMX regulated)
- IP rating: 20
- CE approved

LIGHT SOURCE

- Variable white LEDs module (CRI 92 at 3.200 K - CRI 95 at 5.600 K)
- Average LED lifetime: a minimum of 80% of the initial luminous flux will be maintained after approx. 50.000 hours of usage (50.000 LM80)

PHYSICAL SIZE

- Length: 409 mm (16.10 in)
- Width: 317 mm (12.48 in)
- Height: 315 mm (12.40 in)
- Weight: 13.5 Kg (29.76 lbs)

CONTROL PROTOCOL AND PROGRAMMING

- USITT DMX512A
- DMX channels (motorized zoom version): 6 / 4
- DMX channels (manual / PO zoom version): 5 / 2 / 1
- Setting, addressing, testing and measurements via LCD display
- RDM (Remote Device Management)

ELECTRICAL SPECIFICATIONS AND CONNECTIONS

- AC power: 80-264 V, auto-sensing, 50/60 Hz
- Max power consumption (motorized zoom): 255 W
- Max power consumption (manual / PO zoom): 245 W
- Power consumption (motorized zoom): 1.18 A at 230 V, 2.26 A at 115 V - cosφ 0.94 min.
- Power consumption (manual / PO zoom): 1.13 A at 230 V, 2.17 A at 115 V - cosφ 0.94 min.
- In and Out PowerCon TRUE connectors
- DMX data in/out: 5 pin locking XLR

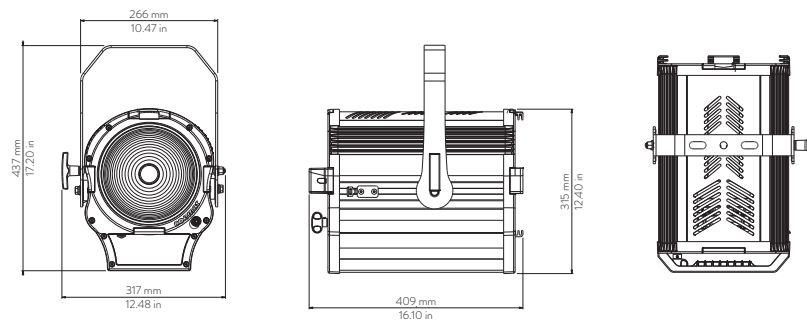
ACCESSORIES

- 8-leaf barndoor
- Color frame holder

AVAILABLE VERSIONS

- Pole operated zoom and yoke (F044G010P)
- Manual zoom and yoke (F044G090P)

DRAWING SIZE



DMX CHARTS

Motorized zoom

6 channels	
1	master dimmer
2	dimmer fine
3	white tone
4	strobe effect
5	special functions
6	zoom

4 channels	
1	master dimmer
2	white tone
3	special function
4	zoom

5 channels	
1	master dimmer
2	dimmer fine
3	white tone
4	strobe effect
5	special functions

Manual / PO zoom

2 channels	
1	master dimmer
2	white tone

1 channel	
1	master dimmer (color temperature settable by display)

PHOTOMETRIC DATA

The Otello Photometric Data may be downloaded from www.coemar.com.

ACCESSORIES

Code	Description
TBC	8-leaf barndoor
TBC	Color frame holder