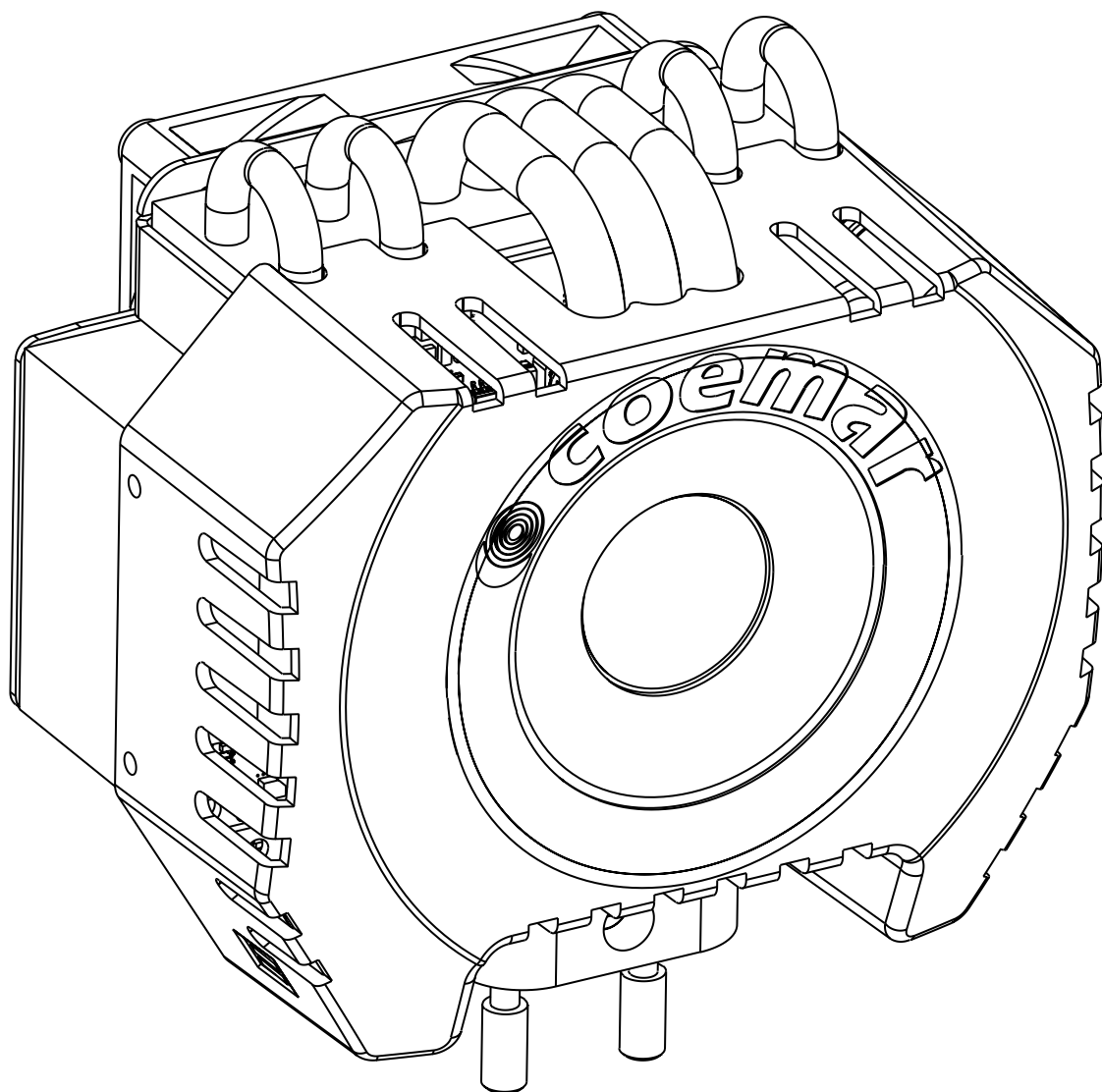


ReLite Led HD



ReLite Led HD

Serial Number:

.....

Purchase date:

.....

Dealer:

.....

Address:

.....

Suburb:

.....

Country:

.....

Phone / Fax:

.....

Please note in the space provided above the relative service information of the model and the retailer from whom you purchased your **ReLite Led HD**: this information will assist us in providing spare parts, repairs or in answering any technical enquiries with the utmost speed and accuracy.

WARNING: the security of the fixture is granted only if these instructions are strictly followed; therefore it is absolutely necessary to keep this manual.

Index

1. Packaging and transportation	Pag. 4
1.1 Packaging	Pag. 4
1.2 Transportation	Pag. 4
2. General information	Pag. 4
2.1 Safety informations	Pag. 4
2.2 Warranty conditions	Pag. 5
2.3 EC norms	Pag. 5
3. Product specifications	Pag. 6
3.1 Technical characteristics	Pag. 6
3.2 Dimensions.....	Pag. 6
3.3 Unit's main components	Pag. 7
4. Installation	Pag. 8
4.1 Mechanical installation	Pag. 8
4.2 How to install G38 adaptor	Pag. 9
5. Powering up	Pag. 10
5.1 Operating voltage and frequency	Pag. 10
6. Turning the ReLite HD on	Pag. 10
7. Dip-Switches	Pag. 10
8. Spare parts	Pag. 11
9. Maintenance	Pag. 12
9.1 Periodic cleaning	Pag. 12
9.2 Periodic control	Pag. 12
10. F.A.Q. and answers	Pag. 12
11. Usage warnings	Pag. 13

Congratulations on having purchased a **Coemar** product. You have assured yourself of a fixture of the highest quality, both in componentry and in the technology used. We renew our invitation to you to complete the service information on the previous page, to expedite any request for service information or spares (in case of problems encountered either during, or subsequent to, installation). This information will assist in providing prompt and accurate advice from your **Coemar** service centre. Following the instructions and procedures outlined in this manual will ensure the maximum efficiency of this product for years to come.

1. Packaging and transportation

1.1 Packaging

Open the packaging and make sure that no part of the equipment has suffered any damage during the transportation. In case of damage to the fixture, contact your courier and your supplier immediately by telephone, fax or e-mail, and inform them you will formally notify them in writing through registered letter.

Packing list

Make sure the packaging contains:

1 ReLite Led HD

1 Instruction manual

1.2 Transportation

The **ReLite Led HD** must be transported exclusively in its original packaging.

2. General information

2.1 Important Safety information

Fire prevention:



1. Never locate the fixture on any flammable surface.
2. Minimum distance from flammable materials: 0,5 m.
3. Minimum distance from the closet illuminable surface: 0,5 m.
4. Replace any blown or damaged fuse only with those of identical values.
Refer to the schematic diagram if there is any doubt.
5. Connect the projector, where the **ReLite Led HD** is installed, to mains power protected by a thermal magnetic circuit breaker.

Prevention from electric shock:



1. Presence of high voltage inside of the fixture. Insulate the fixture from mains supply before opening or performing any function which involves touching the inside of the fixture, including lamp replacement.
2. For the connection to the mains, adhere strictly to the guidelines outlined in this manual.

3. The level of technology of **ReLite Led HD** requires the use of specialized personnel for all service applications; refer all work to your authorised **Coemar** service centre.
4. A good earth connection is essential for the proper functioning of the projector. Never connect the fixture if there is no earth connection.
5. Main cables must not come into contact with other cables.
6. Do not operate the projector with wet hands or in an area where water is present.
7. The fixture must never be located in an exposed position, or in areas of extreme humidity.

Safety:



1. The external surfaces of the unit, at various points, may reach 60°C. Do not handle the device for at least 10 minutes after the LED turning off.
2. Never install the fixture in an enclosed area lacking sufficient air flow; the room temperature must not exceed 45°C.
3. The projector contains electronic and electrical components which must under no circumstances be in contact with water, oil or any other liquid. Failure to do so will compromise the proper functioning of the projector.

2.2 Warranty conditions

1. The fixture is under warranty for 24 months from the purchase date against factory defections.
2. Damage ought to unskillfulness, inappropriate use, or lack of suggested maintenance are excluded from the warranty.
3. Warranty expires when the projector is opened by unauthorized personnel.
4. Warranty doesn't include the replacement of the fixture.
5. Serial number and model of the fixture are necessary to retrieve informations and assistance from the dealer.

2.3 EC norms

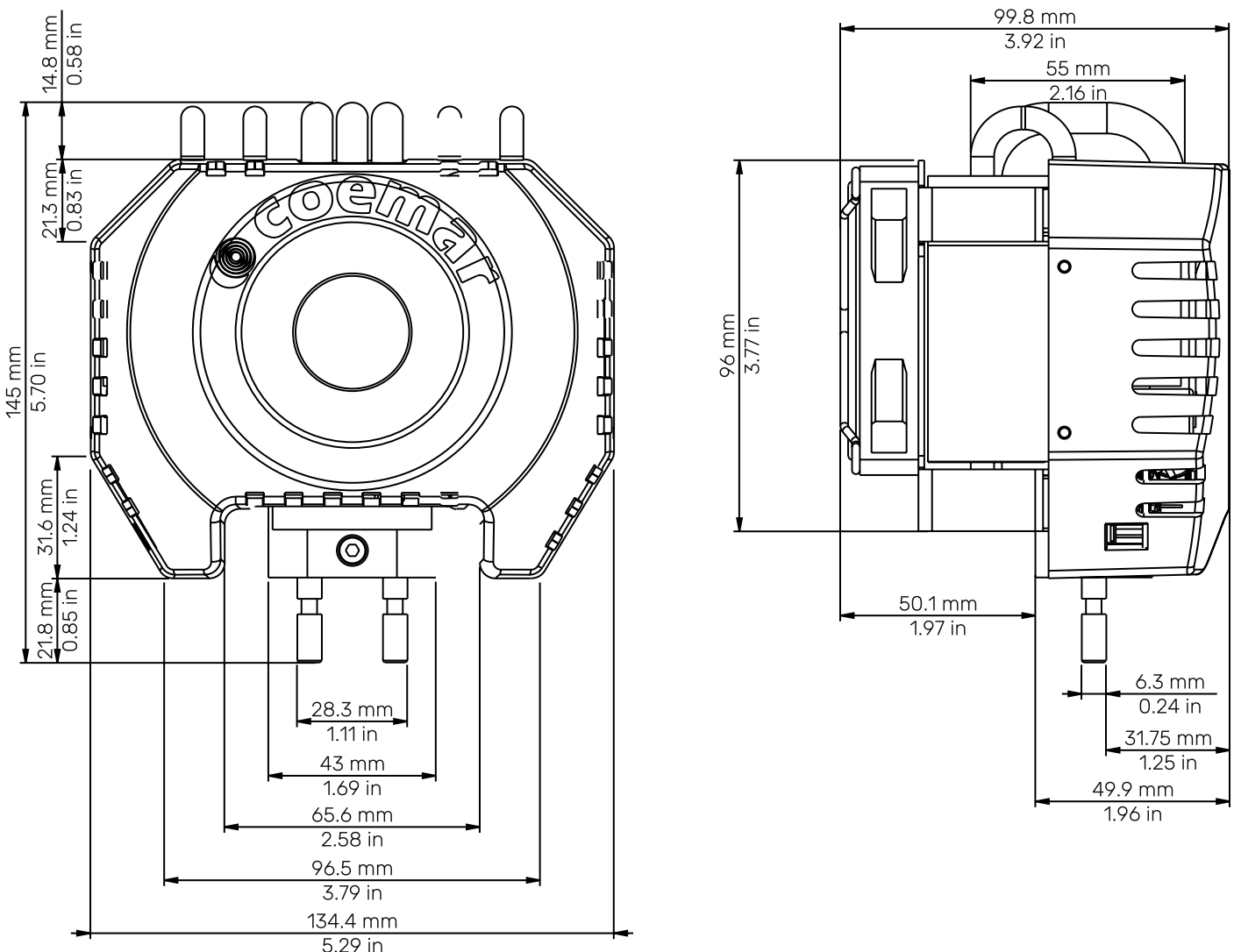
The projector meets all fundamental applicable EC requirements.

3. Product specifications

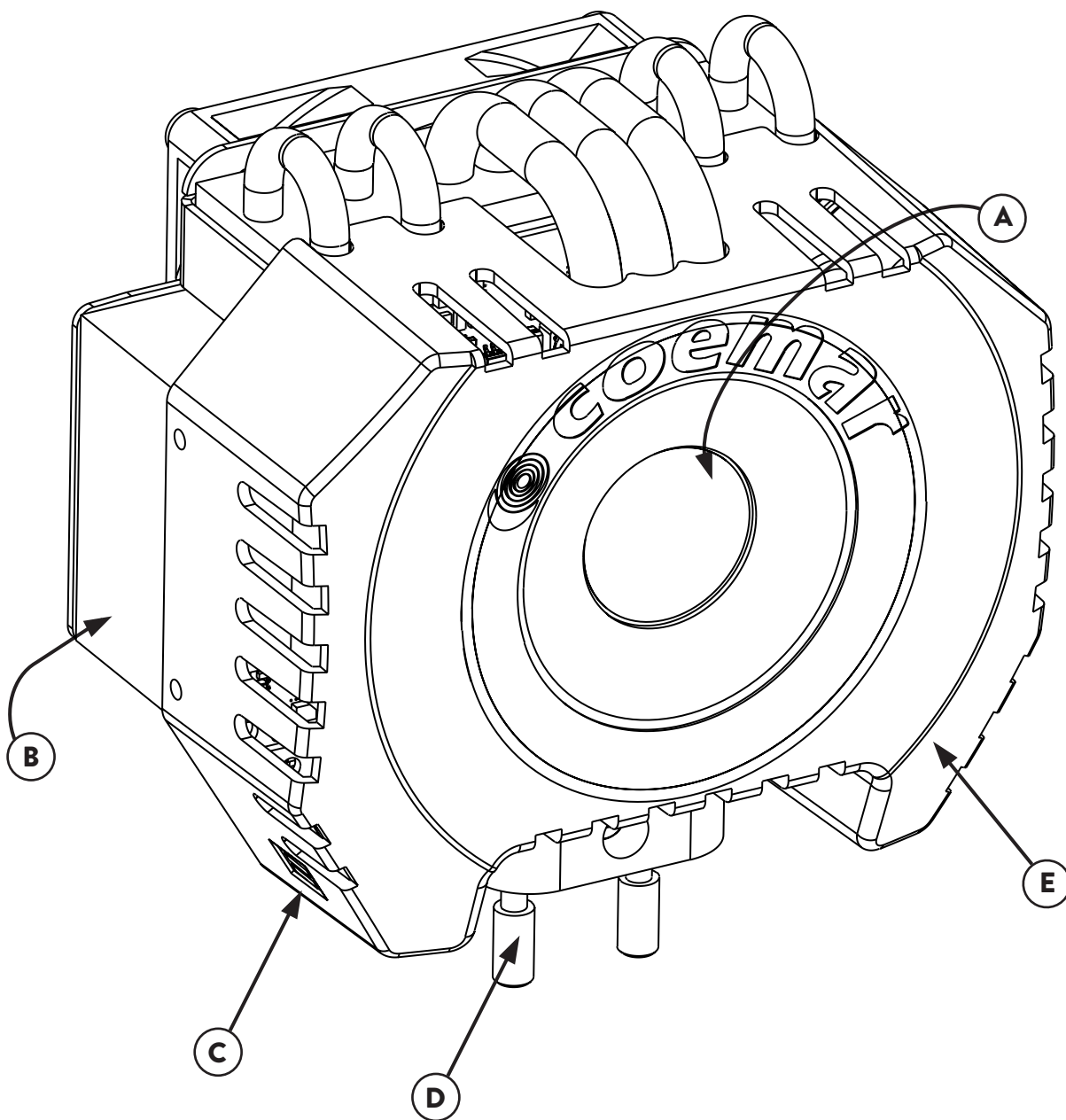
3.1 Technical characteristics

Power supply	100-240 V, auto-sensing, 50/60 Hz
Maximum current	0.8 A at 230 V, 1.7 A at 110 V
Power factor	Cosφ > 0.9
Max power consumption	160 W
Color temperature	Tungsten: 3200 K - Daylight: 5600 K
Color Rendering Index (CRI)	avg. 97
Weight	0.8 Kg - 1.7 lbs.
Operating Ta (°C/F) range	-20 to 45°C (-4 to 113° F), two thermal protection at 95°C/203°F (LED) and 85°/185°F (Board)
Connectors	G22 - GX9.5 - GY16 - G38 (adaptor)
IP rating	20

3.2 Dimensions



3.3 Unit's main components



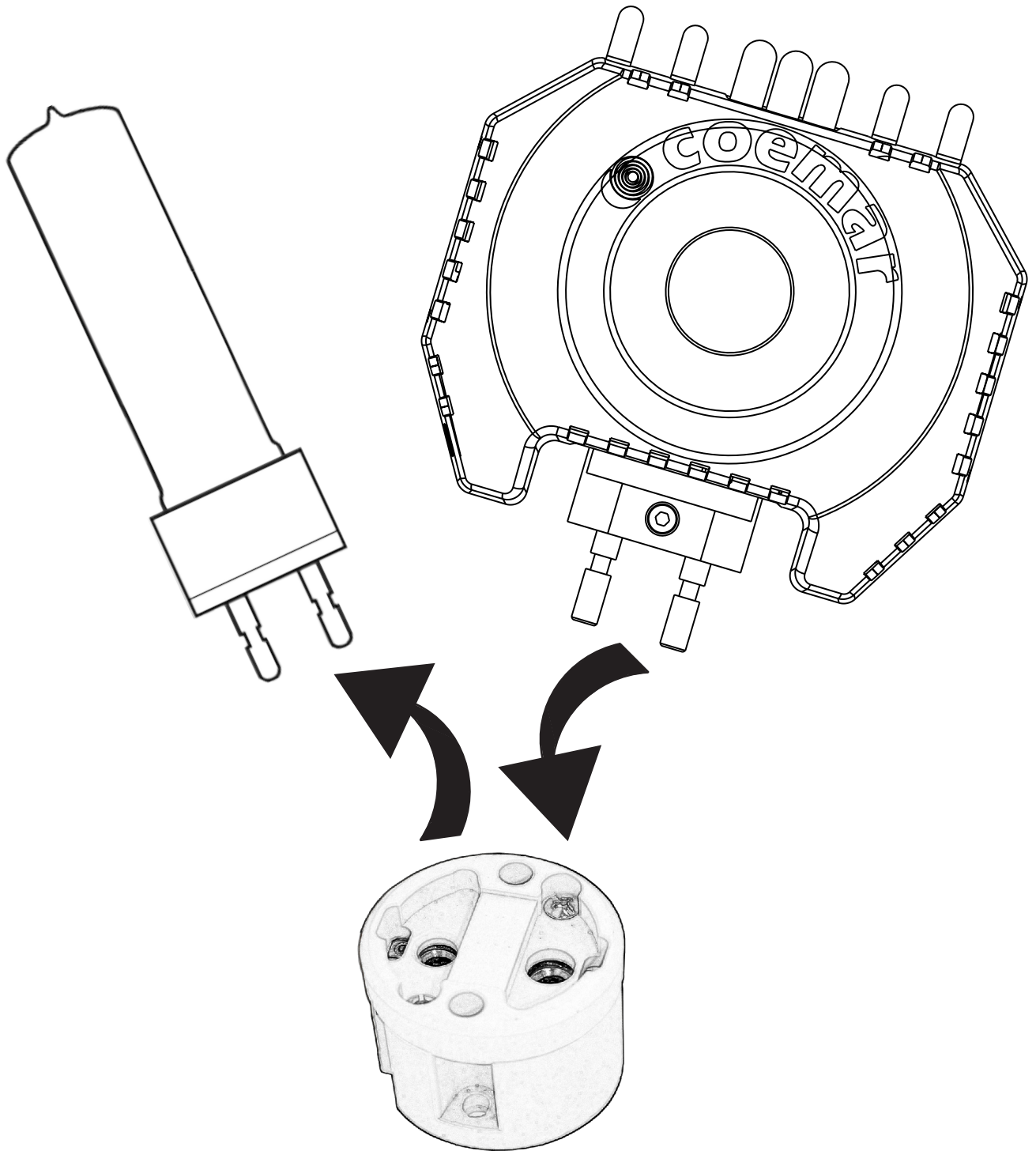
Components description	
A	Led
B	Heatsink
C	Dip-switches
D	Pin Base
E	Cover

4. Installation

4.1 Mechanical installation

With **ReLite Led HD** will be possible to give new life to your projector, simply replacing the old lamp with the **ReLite Led HD**.

Note: the fixture's reflector needs to be removed before the installation.



4.2 How to install the G38 adaptor

Make sure the **ReLite Led HD** is not powered; unscrew the screws on both sides (pic. 01), insert it directly into the G22 socket (pic. 02).



Tighten the side screws (pic. 03)



5. Powering up

5.1 Operating voltage and frequency

The unit may operate at voltage ranges from 100 to 240 V at a frequency of 50 or 60 Hz. It is not necessary to change any default settings: **ReLite Led HD** will automatically adjust its operation to adapt to any frequency or voltage within this range and will be dimmable from traditional TRIAC AC or IGBT dimmers.

Warning!!

The use of a thermal/magnetic circuit breaker is recommended. Strict adherence to regulatory norms is strongly recommended.

Ensure that the main characteristics are within the recommended range for the use of **ReLite Led HD**.

All connections should be carried out by a suitably qualified personnel.

6. Turning the ReLite HD on

After having followed the previous steps, turn on the projector, in which the **ReLite Led HD** is installed, connecting it to the mains power.

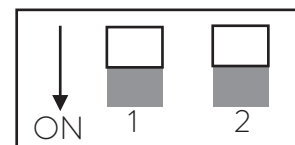
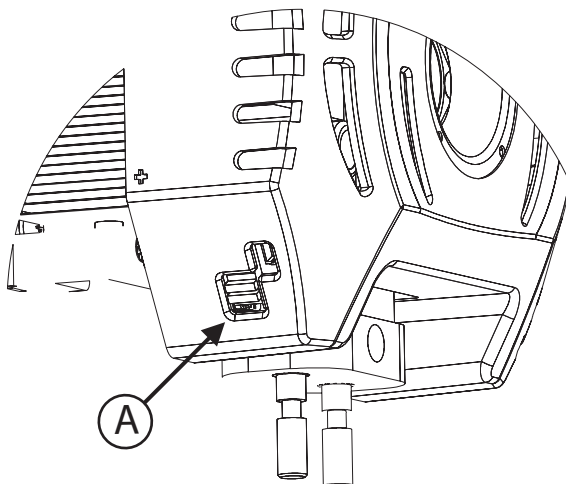
7. Dip-switches

The **ReLite Led HD** has two dip-switches mounted on board (A):

1. The first dip-switch allows the adjustment of the fan speed. Usually the fan works at maximum speed, if set to **ON** the fan will be set to the 75% of its speed.
2. The second dip-switch allows the reset of the temperature. Raise and lower the dip-switch 4 times within the first 5 seconds of ignition.

Warning!!

In both cases, the projector needs to be powered during the procedure.



8. Spare parts

All **ReLite Led HD**'s spare parts are available from your Coemar service centers. Specifying in detail the projector model and the replacement part requested, will help the service center to serve you in the best way.

Code	Accessory name
O378.002	Fan support
R375.CN001	Pin G22 - M4
R375.CN002	Contact GY9.5 - G22
R378	G22 1 K Socket
R378.PA01	Reflector
RED806D/KIT	1K G22
RVE59/L	Fan
RVI1293	Cross head screw 4X14
SPLA378	PVC Carter for ReLite HD

9. Maintenance

9.1 Periodic cleaning

Cleaning of the unit

Use a soft brush or a source of compressed air to remove dust. For the cleaning of the housing use a soft cloth. Check that the fan and heat exchanger are perfectly clean.

9.2 Periodic controls

Mechanical components

Check the correct working of the mechanical parts and, if needed, replace them. Make sure the projector is not mechanically damaged. If necessary, replace the worn parts.

10. F.A.Q. and answers

The following list shows common issues that may be easily solved. If issues persist, the unit must be repaired by qualified personnel or just contact your **Coemar** service near you.

Question	Possible solution
ReLite Led HD does not emit light	Projector not powered: <ul style="list-style-type: none">• Make sure the power cord is plugged in or test the input voltage in the projector in which ReLite Led HD is installed;• Make sure the ReLite Led HD is well inserted into the socket.

11. Usage warnings

1. The **ReLite Led HD** supports the pre-heat function of traditional dimmers. For this reason, we advise you to activate the pre-heat function when possible.
2. Linear dimming from 1% to 100%. We guarantee the stability of the fixture starting from 10/15 % of the dimmer channel (depending on the installation conditions).
3. The strobe function is not allowed.
4. When the preheat is active the **ReLite Led HD**'s shutdown and its ignition can not be less than one second, in case the preheat is not active, the shutdown and its ignition can not be less than four seconds.
5. If only few **ReLite Led HD** are connected to a power unit of a certain size (2000 W), an additional component called **dump load resistor** is required, which will charge extra watt to activate the triacs. This device will be inserted into the power cord, dissipating the watt needed to ensure the ignition. If more **ReLite Led HD** are powered on the same line, the same effect as the **dump load resistor** will be obtained.
6. Never supply **ReLite Led HD** with a voltage higher than **240 V**.
7. Once **ReLite Led HD** enters in thermal protection, the last highest temperature detected is recorded in order to stabilize the **ReLite Led HD**. Thanks to this function the **ReLite Led HD** is turned off and on or if you lower the dimmer, it keeps the light intensity constant even if the internal temperature changes.

User notes

.....
.....
.....
.....
.....
.....
.....
.....
.....
.....
.....
.....
.....
.....
.....
.....
.....
.....
.....
.....
.....
.....
.....
.....



Information on disposal of the equipment

The equipment at the end of its useful life must be disposed of at an appropriate recycling center for waste electrical and electronic equipment. The treatment and disposal of environmentally friendly, helps prevent potential negative environmental and health and promote the reuse and / or recycling of materials making up the equipment. Illegal disposal by the user includes the application of administrative sanctions provided by law.



Coemar Lighting s.r.l.

Via Carpenedolo 90
46043 Castiglione delle Stiviere, Mantova, Italia
tel. +39 0376/1514412 - fax +39 0376/1514380
info@coemar.com

Coemar reserves the right to change specifications without prior notice