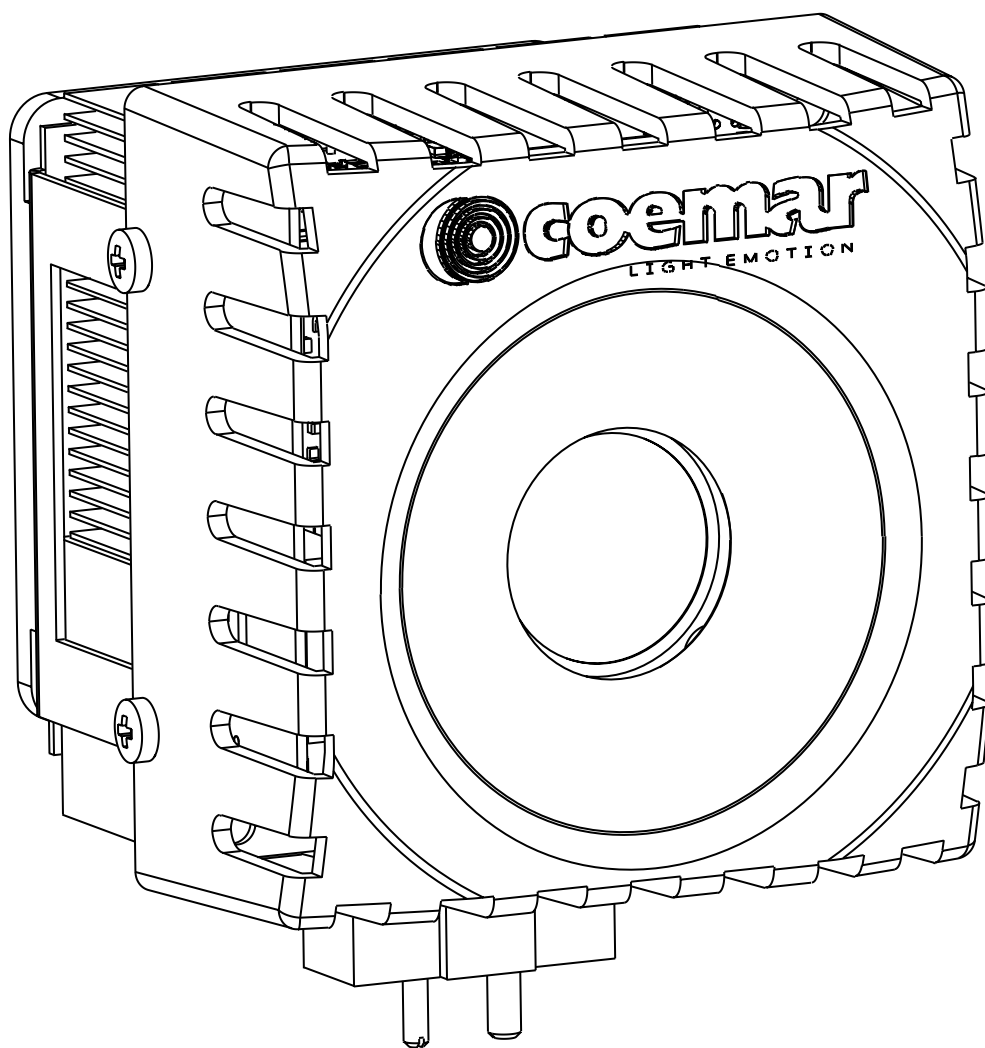


# Mini ReLite Led



# Mini ReLite Led

Serial Number:

.....

Purchase date:

.....

Dealer:

.....

Address:

.....

Suburb:

.....

Country:

.....

Phone / Fax:

.....

Please note in the space provided above the relative service information of the model and the retailer from whom you purchased your **Mini ReLite Led**: this information will assist us in providing spare parts, repairs or in answering any technical enquiries with the utmost speed and accuracy.

**WARNING:** the security of the fixture is granted only if these instructions are strictly followed; therefore it is absolutely necessary to keep this manual.

# Index

<b>1. Packaging and transportation</b> .....	Pag. 4
<b>1.1</b> Packaging .....	Pag. 4
<b>1.2</b> Transportation .....	Pag. 4
<b>2. General information</b> .....	Pag. 4
<b>2.1</b> Safety informations .....	Pag. 4
<b>2.2</b> Warranty conditions .....	Pag. 5
<b>2.3</b> EC norms .....	Pag. 5
<b>3. Product specifications</b> .....	Pag. 6
<b>3.1</b> Technical characteristics .....	Pag. 6
<b>3.2</b> Dimensions.....	Pag. 6
<b>3.3</b> Unit's main components .....	Pag. 7
<b>4. Installation</b> .....	Pag. 8
<b>4.1</b> Mechanical installation .....	Pag. 8
<b>5. Powering up</b> .....	Pag. 9
<b>5.1</b> Operating voltage and frequency .....	Pag. 9
<b>6. Turning the Mini ReLite Led on</b> .....	Pag. 9
<b>7. Spare parts</b> .....	Pag. 9
<b>8. Maintenance</b> .....	Pag. 10
<b>8.1</b> Periodic cleaning .....	Pag. 10
<b>8.2</b> Periodic control .....	Pag. 10
<b>9. F.A.Q. and answers</b> .....	Pag. 10
<b>10. Usage warnings</b> .....	Pag. 11

Congratulations on having purchased a Coemar product. You have assured yourself of a fixture of the highest quality, both in componentry and in the technology used. We renew our invitation to you to complete the service information on the previous page, to expedite any request for service information or spares (in case of problems encountered either during, or subsequent to, installation). This information will assist in providing prompt and accurate advice from your Coemar service centre. Following the instructions and procedures outlined in this manual will ensure the maximum efficiency of this product for years to come.

# 1. Packaging and transportation

## 1.1 Packaging

Open the packaging and make sure that no part of the equipment has suffered any damage during the transportation. In case of damage to the fixture, contact your courier and your supplier immediately by telephone, fax or e-mail, and inform them you will formally notify them in writing through registered letter.

### Packing list

Make sure the packaging contains:

- 1 Mini ReLite Led**
- 1 Instruction manual**

## 1.2 Transportation

The **Mini ReLite Led** must be transported exclusively in its original packaging.

# 2. General information

## 2.1 Safety informations

### Fire prevention:



1. Never locate the fixture on any flammable surface.
2. Minimum distance from flammable materials: 0,5 m.
3. Minimum distance from the closet illuminable surface: 0,5 m.
4. Replace any blown or damaged fuse only with those of identical values. Refer to the schematic diagram if there is any doubt.
5. Connect the projector, where **Mini ReLite Led** is installed, to mains power protected by a thermal magnetic circuit breaker.

### Prevention from electric shock:



1. Presence of high voltage inside of the fixture. Insulate the fixture from mains supply before opening or performing any function which involves touching the inside of the fixture, including lamp replacement.
2. For the connection to the mains, adhere strictly to the guidelines outlined in this manual.

3. The level of technology of **Mini ReLite Led** requires the use of specialized personnel for all service applications; refer all work to your authorised **Coemar** service centre.
4. A good earth connection is essential for the proper functioning of the projector. Never connect the fixture if there is no earth connection.
5. Main cables must not come into contact with other cables.
6. Do not operate the projector with wet hands or in an area where water is present.
7. The fixture must never be located in an exposed position, or in areas of extreme humidity.

**Safety:**



1. The external surfaces of the unit, at various points, may reach 60°C. Do not handle the device for at least 10 minutes after the LED turning off.
2. Never install the fixture in an enclosed area lacking sufficient air flow; the room temperature must not exceed 45°C.
3. The projector contains electronic and electrical components which must under no circumstances be in contact with water, oil or any other liquid. Failure to do so will compromise the proper functioning of the projector.

---

## 2.2 Warranty conditions

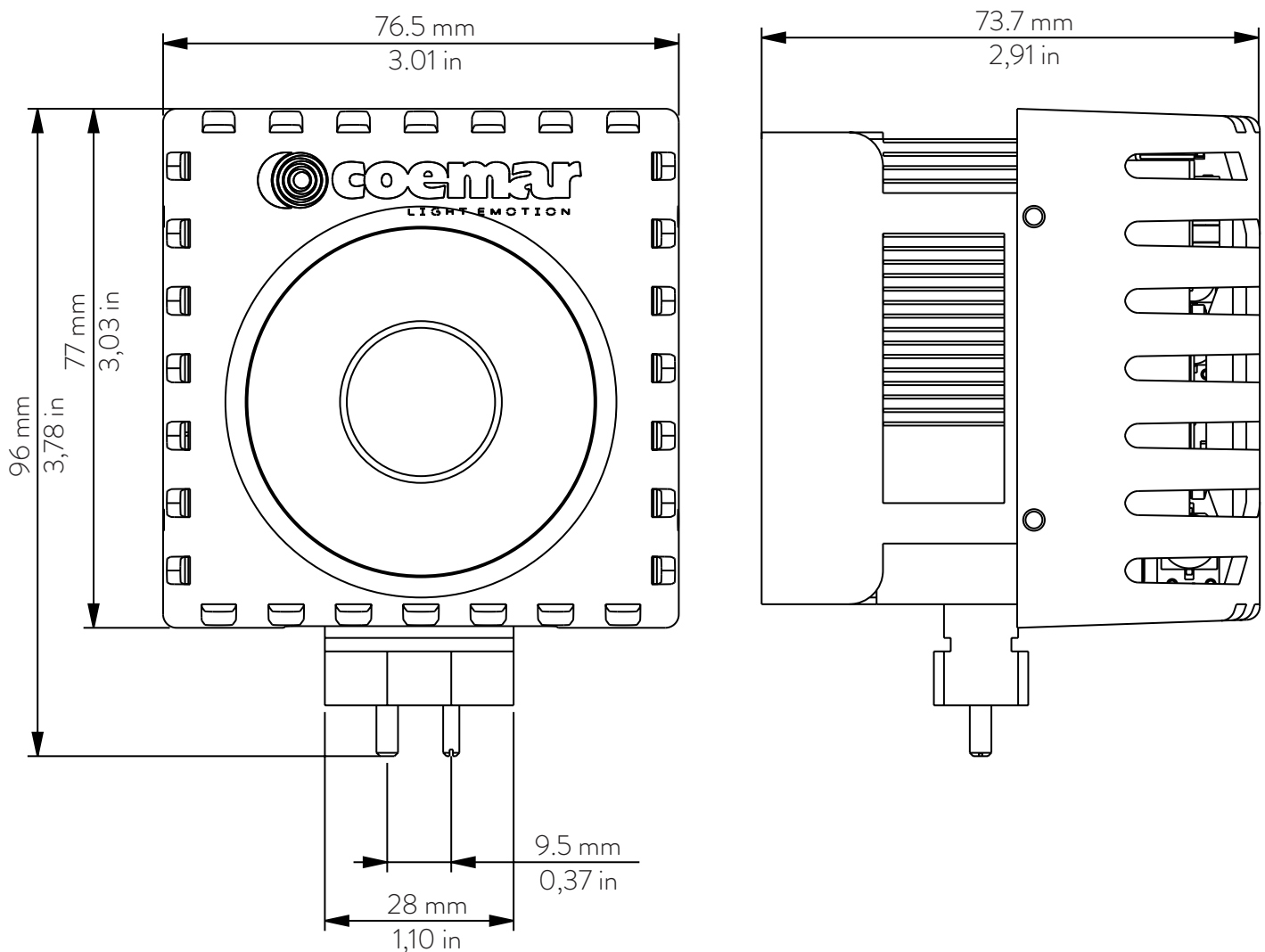
1. The fixture is under warranty for 24 months from the purchase date against factory defections.
2. Damage ought to unskillfulness, inappropriate use, or lack of suggested maintenance are excluded from the warranty.
3. Warranty expires when the projector is opened by unauthorized personnel.
4. Warranty doesn't include the replacement of the fixture.
5. Serial number and model of the fixture are necessary to retrieve informations and assistance from the dealer.

# 3. Product specifications

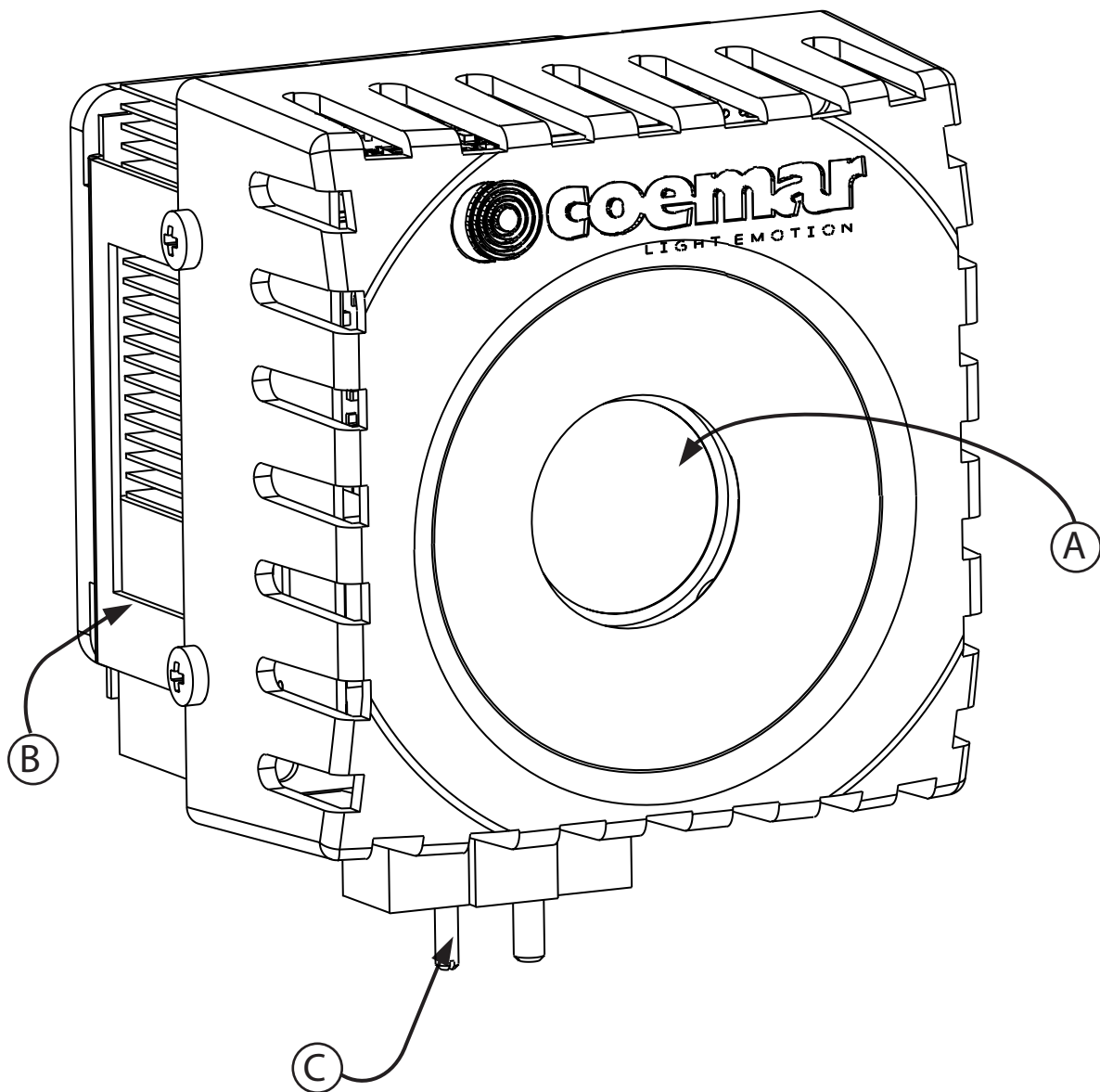
## 3.1 Technical characteristics

<b>Power supply</b>	90-240 V, auto-sensing, 50/60Hz
<b>Maximum current</b>	0.31 A at 230 V, 0.65 at 110 V
<b>Power factor</b>	$\text{Cos}\varphi = 0.98$
<b>Max power consumption</b>	70 W
<b>Color temperature</b>	<b>Tungsten:</b> 3200 K - <b>Daylight:</b> 5600 K
<b>Color Rendering Index (CRI)</b>	90 or 97
<b>Weight</b>	0.3 Kg - 0.66 lbs.
<b>Connectors</b>	GX9.5, GY9.5, G22
<b>IP rating</b>	20

## 3.2 Dimensions



### 3.3 Unit's main components



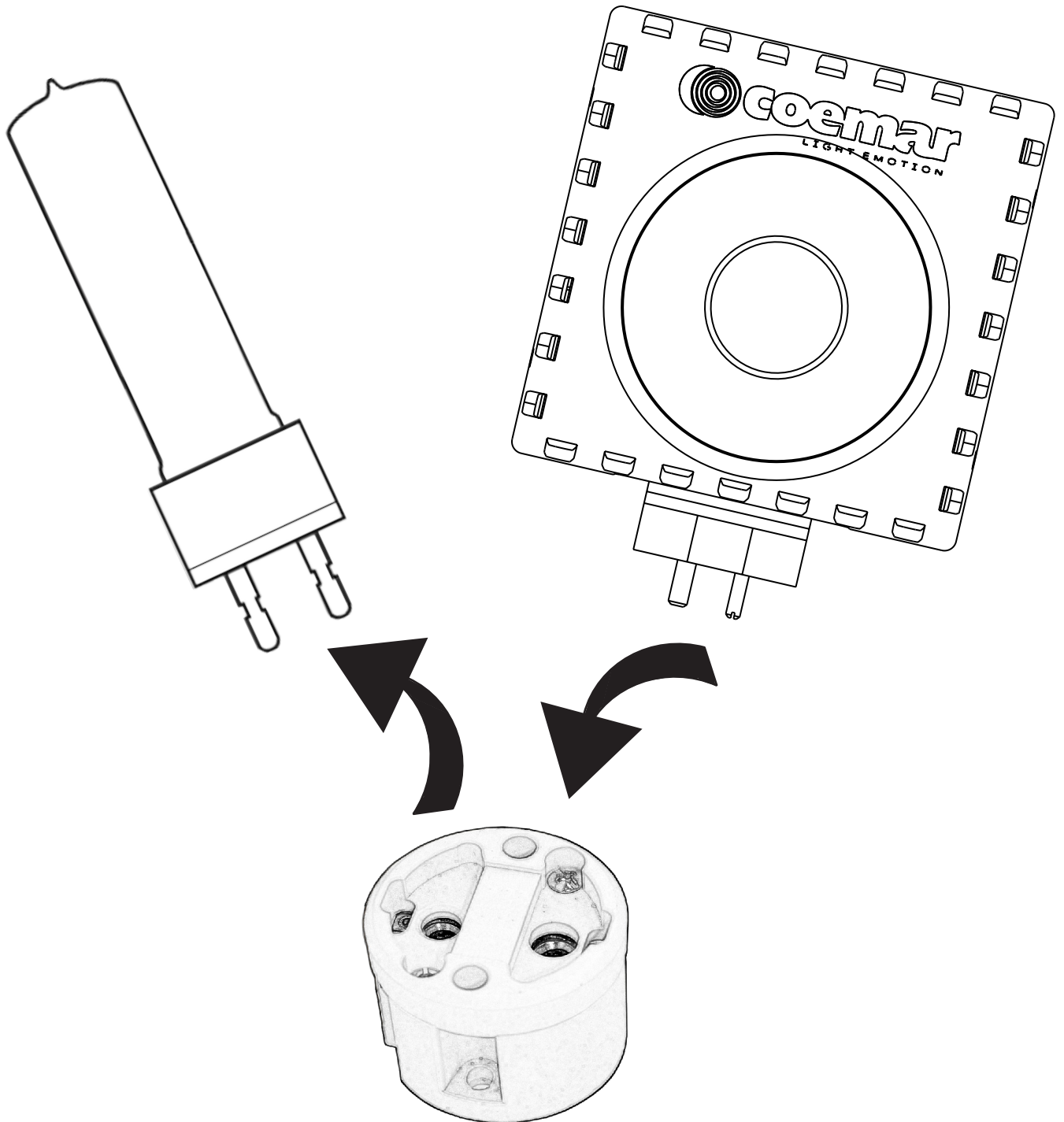
Components description	
<b>A</b>	LED
<b>B</b>	Heatsink
<b>C</b>	Pin Base

# 4. Installation

## 4.1 Mechanical installation

With **Mini ReLite Led** will be possible to give new life to your projector, simply replacing the old lamp with the **Mini ReLite Led**.

**Note:** the fixture's reflector needs to be removed before the installation.





## 5. Powering up

### 5.1 Operating voltage and frequency

The unit may operate at voltages ranges from 90 to 240 V at a frequency of 50 or 60 Hz. It is not necessary to change any default settings: **Mini ReLite Led** will automatically adjust its operation to adapt to any frequency or voltage within this range and will be dimmable from traditional TRIAC AC or IGBT dimmers.

#### Warnings!!

The use of a thermal/magnetic circuit breaker is recommended. Strict adherence to regulatory norms is strongly recommended.

Ensure that the main characteristics are within the recommended range for the use of **Mini ReLite Led**.

All connections should be carried out by a suitably qualified personnel.

## 6. Turning the Mini ReLite Led on

After having followed the previous steps, turn on the projector, in which the **Mini ReLite Led** is installed, connecting it to the mains power.

## 7. Spare parts

All **Mini ReLite Led**'s spare parts are available from your Coemar service centers. Specifying in detail the projector model and the replacement part requested, will help the service center to serve you in the best way.

# 8. Maintenance

## 8.1 Periodic cleaning

### Front glass

Dust can reduce the light output and affect the quality of the beam. Clean periodically filters and lenses using a soft cotton cloth, dampened with a specialist lens cleaning solution.

### Cleaning of the unit

Use a soft brush, a common vacuum cleaner or a source of compressed air to remove dust. For the cleaning of the housing use a soft cloth and a non-aggressive cleaner. Check that the fan and heat exchanger are perfectly clean.

## 8.2 Periodic controls

### Mechanical components

Check the correct working of the mechanical parts and, if needed, replace them. Make sure the projector is not mechanically damaged. If necessary, replace the worn parts.

# 9. F.A.Q. and answers

The following list shows common issues that may be easily solved. If issues persist, the unit must be repaired by a qualified personnel or just contact your **Coemar** service near you.

Question	Possible solution
<b>Mini ReLite Led</b> does not emit light	<b>Projector not powered:</b> <ul style="list-style-type: none"><li>• Make sure the power cord is plugged in or test the input voltage in the projector in which is installed <b>Mini ReLite Led</b>;</li><li>• Make sure the <b>Mini ReLite Led</b> is well inserted into the socket.</li></ul>

# 10. Usage warnings

1. The **Mini ReLite Led** supports the pre-heat function of traditional dimmers. For this reason, we advise you to activate the pre-heat function when possible.
2. The strobe function is not allowed.
3. When the preheat is active the **Mini ReLite**'s shutdown and its ignition can not be less than one second, in case the preheat is not active, the shutdown and its ignition can not be less than four seconds.
4. If only some **Mini ReLite Led** are connected to a power unit of a certain size (2000 W), an additional component called **dump load resistor** is required, which will charge other watts to activate the triacs. This device will be inserted into the power cord, thus dissipating the watt needed to ensure it will turn on. Alternatively, if a more or less high number of **Mini ReLite Led** are connected together, the same effect will be obtained.
5. The ideal percentage of dimming can go from **30/35** to **100%** without the previously mentioned **dump load resistor**; if this is implemented, the percentage of dimming improves by about **10%**.





Information on disposal of the equipment

The equipment at the end of its useful life must be disposed of at an appropriate recycling center for waste electrical and electronic equipment. The treatment and disposal of environmentally friendly, helps prevent potential negative environmental and health and promote the reuse and / or recycling of materials making up the equipment. Illegal disposal by the user includes the application of administrative sanctions provided by law.



**Coemar Lighting s.r.l.**

Via Carpenedolo 90  
46043 Castiglione delle Stiviere, Mantova, Italia  
tel. +39 0376/1514412 - fax +39 0376/1514380  
[info@coemar.com](mailto:info@coemar.com)

**Coemar** reserves the right to change specifications without prior notice