

SUPER LED F10 VW+C



DATASHEET

DeSisti

SUPER LED F10 VW+C

LED Fresnel Spotlight 400W Vari-White + Color - CRI>95

White light and colors, with Tunable Correlated Color Temperature from 2.800 to 6.600°K

OVERVIEW

The Super LED F10 Vari-White + Color maintains the high efficiency DE SISTI Internationally Patented optical system for LED FRESNEL while offering the possibility to color the scene and use effects without compromising the quality of the white light emission.

The same Bi-Color White Leds of the appreciated Vari-white range are being utilized but now with a new addition of red, green, blue and amber leds production unmatched White Color output with supreme color saturation. The color chips are also revolutionary as they are phosphors based which allows color stability through all the situations and through lifetime of the LED

De Sisti F10 VW+Color is controlled through 7 modes

- 1) Standard 6 color mixing
- 2) Preset Gels + Referral source
- 3) Variwhite mode + 4 colors
- 4) Variwhite mode + color correction (+/- green +/- Cyan....)
- 5) Hue Saturation intensity
- 6) X, Y coordinates (extremely precise as based on 4 colors instead only RGB)
- 7) Effects.

The fixture combines the classical SPOT/FLOOD beam control on an equivalent FOCUS RANGE to a conventional lamp fresnel, with an excellent barn door cutting.

It utilizes Standard accessories from the DE SISTI range of equivalent Fresnel Lens size, such as Barndoor, Color Frame, Cones, Scrims.

MODEL	DESCRIPTION
F10VW+C.MO	Super LED F10 VW + Color - Tunable White +RGBA, Manual Operated
F10VW+C.PO	Super LED F10 VW + Color - Tunable White +RGBA, Pole Operated



WHAT'S INSIDE

FIXTURE HEAD

250 mm. (10") diameter Fresnel lens
 POWERCON IN & OUT PANEL CONNECTORS.
 XLR 5 Pin DMX IN & OUT PANEL CONNECTORS.
 400W LED engine with White LEDs from 2.800°K till 6.600 °K (CCT) and Red, Green, Blu and Amber phosphors based
 Built In Universal Power Supply 90-250V
 50/60Hz DMX controlled.

YOKES

Manual Operated Versions

Mod. LT320.110.40 M.O. yoke with 28,57 mm (B.S. 1 1/8") with top end for "C" clamp

Pole Operated Versions

Mod. 321.110.40 P.O. yoke with 28,57 mm spigot (B.S. 1 1/8"), with top end for "C" clamp

ACCESSORIES

Mod. 326.100 four leaf rotating barndoor
 Mod. 327.100 color frame

CABLES

Mod. 5403.135 3 mt. (9.8 ft) detachable Blue POWERCON power cable with bare ends.

DMX cable is not included, to be ordered separately

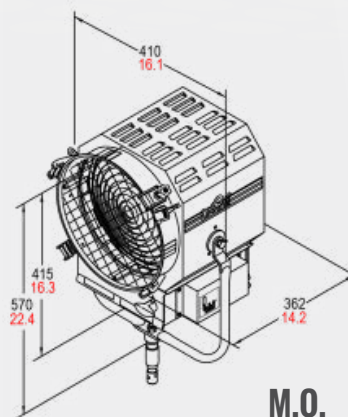


SUPER LED F10 VW+C

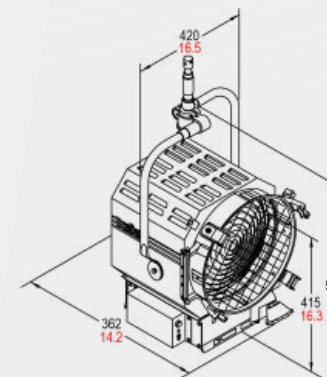
FEATURES

Power to LED	400W - DC current to the LED - flicker free
Rated Voltage & PFC	90-250V 50-60Hz PFC 0,96
Power consumption	440W @ 230V 440W @120V
Power Connection	powerCON IN & OUT
DMX Data link USITT DMX512-A	5-pin XLR for DMX in & out. Use shielded data cables. Do not overload the daisy chain. Up to a maximum of 32 devices can be used on a single DMX chain.
DMX Channels	8: Master Dimmer, Mode Selection, CCT Control, Hue/Gel Selection/X coordinate/Red/+Green, Saturation/Source Selection/Y coordinate/Green/-Green, Blu, Amber, Warm White/Filter or Color correction selection in VW mode, Cold White/ CCT selection in VW mode, Strobe
LED ARRAY Lifetime	50.000 hours with 70% Lumen Maintenance. The LED ARRAYS are tested and certified up to LM80
CCT	Tunable from 2.800°K to 6.600°K + RGBA
CRI / TLCI	CRI>96 TLCI:96
Protection Type	IP22
Max. Surface Temperature	70° C
Weight of Fixture	M.O. 13,5 Kg (29.7 lb) P.O. 14,8 Kg (32.5 lb)
Weight of Barndoor	4 leaf 1,4 Kg (3.09 lb) 8 leaf 1,65 Kg (3.64 lb)
Weight of color frame	0,28 Kg (0.62 lb)
Barndoor ring diameter	Seat: 314mm / 12 1/3" - Accessory: 313mm / 12 1/3"
Scrims & color frame diameter	Seat 306mm / 12" - Accessory: 305mm / 12"
Lens diameter	250mm / 10"

DIMENSION



M.O.



P.O.

FEATURES

250 mm. (10") diameter high quality, shock resistant Borosilicate glass Fresnel lens on spring supports.

Rugged and lightweight Carbon Steel Housing with low glare black epoxy powder coating and reinforces internal double walls .

DMX (or local) control of the Light intensity from 0 to 100% with smooth transition and theatrical quality dimming...flicker free at any dimming level.

Vari-White CCT technology with a range from 2.800°K to 6.600°K and revolutionary phosphors based color LEDs to allow color stability in every situation

CRI Greater than 95 at any CCT within the range

High efficiency Self Stabilizing Active Cooling: automatic, thermal stabilization of the LED operating temperature is managed by an internal thermal sensor and CPU, variable speed fan and heat sink to maintain the LED Array's constant temperature at a maximum of 65°C. The hydro dynamic bearing fan operates silently with a very low RPM.

Special Patented Optics for LED Technology.

Helix Screw driven focus mechanism which guides Teflon bushings supported LED ENGINE along 2 rods. This ensures smooth operation during focusing in any tilting position of the fixture. The Teflon bushings also provide a wiping action, which cleans the steel guide rails during focus.

The unit is equipped with a hinged lens door and wire guard. One of the 4 accessory brackets has a spring loaded locking knob to safely secure external accessories.

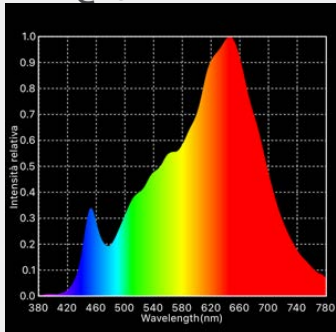
Accessories have been designed for one hand installation.

Available with either positive lock manual yokes for comfort and ease of handling, or pole operated yokes which can be used via the lighting pole for Panning and Tilting the lights as well as manually, since the mechanical activators are equipped with clutches.

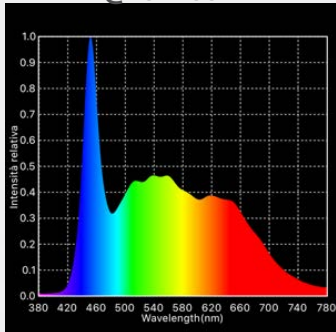
SUPER LED F10 VW+C

SPECTRUM

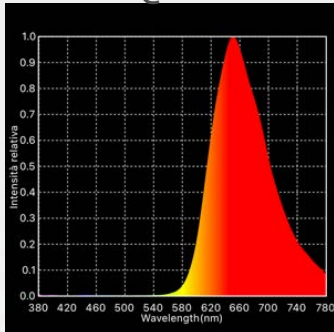
@FULL WARM



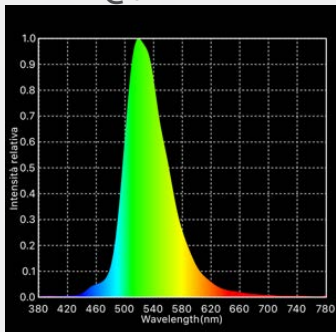
@FULL COLD



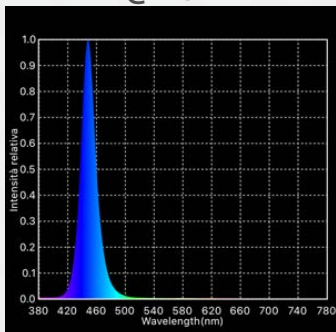
@RED



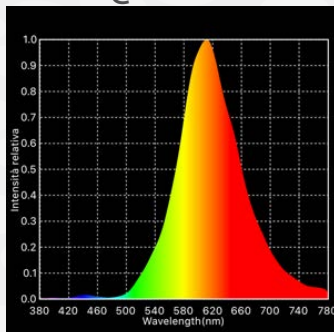
@GREEN



@BLU



@AMBER



PHOTOMETRICS

// SUPER LED F10 VW + C

Central Light intensity (Candle Power)

Illumination center values at Distances

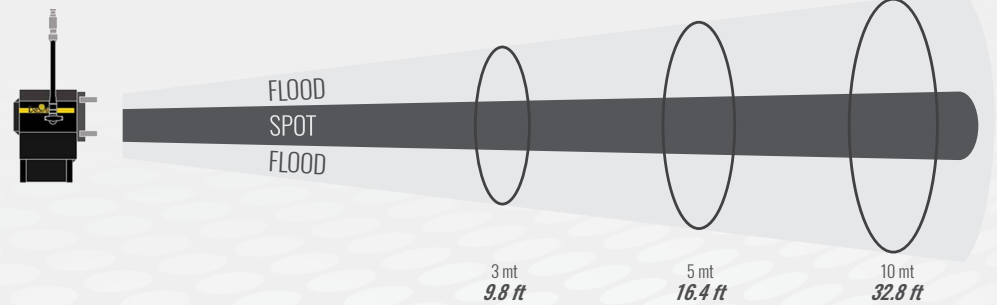
FULL FLOOD - C.C.T. tunable from 2.800°K to 6.600°K - 400W (CRI >95) - TLCI: 96

FLOOD @ 3.200°K CCT	18.369 cd	2.041 lux <i>190 FC</i>	735 lux <i>68 FC</i>	184 lux <i>17 FC</i>
FLOOD @ 5.600°K CCT	19.314 cd	2.146 lux <i>199 FC</i>	773 lux <i>72 FC</i>	193 lux <i>18 FC</i>

FULL SPOT - C.C.T. tunable from 2.800°K to 6.600°K - 400W (CRI >95) - TLCI: 96

SPOT @ 3.200°K CCT	136.494 cd	15.166 lux <i>1,409 FC</i>	5.460 lux <i>507 FC</i>	1.365 lux <i>127 FC</i>
SPOT @ 5.600°K CCT	141.750 cd	15.750 lux <i>1,463 FC</i>	5.670 lux <i>527 FC</i>	1.418 lux <i>132 FC</i>

3 mt *9.8 ft* 5 mt *16.4 ft* 10 mt *32.8 ft*



Light beam diameter with Beam Angle (50% of center value)

Beam Sizes

FLOOD	53°	2,99 mt <i>9.8 ft</i>	4,99 mt <i>16.4 ft</i>	9,97 mt <i>32.7 ft</i>
SPOT	11°	0,58 mt <i>1.9 ft</i>	0,96 mt <i>3.2 ft</i>	1,93 mt <i>6.3 ft</i>

Light beam diameter with Field Angle (10% of center value)

FLOOD	77°	4,77 mt <i>15.7 ft</i>	7,95 mt <i>26.1 ft</i>	15,91 mt <i>52.2 ft</i>
SPOT	19°	1,00 mt <i>3.3 ft</i>	1,67 mt <i>5.5 ft</i>	3,35 mt <i>11.0 ft</i>

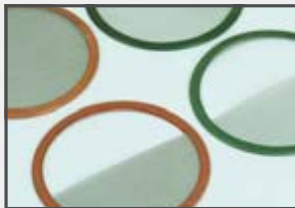
LUX AT ANY DISTANCE = Candle Power: [Distance(in m.)]²

FC. AT ANY DISTANCE = Candle Power: [Distance(in ft)]²

The Company reserves the right to change specifications without notice.



SUPER LED F10 VW+C



OPTIONALS & ACCESSORIES

F10VW+C.XO.DIN	adder code to order DIN Spigot
325.310	Stainless Steel wire guard
326.100	Four leaf rotating barndoor
326.200	Eight way rotating barndoor
327.100	Color Frame
328.100	Cone with two discs (with front aperture diameter: 70 mm. 50 mm. 30 mm.)
329.100	Set of scrims - Stainless steel
329.101	Full single scrim - Stainless steel
329.102	Full double scrim - Stainless steel
329.103	1/2 single scrim - Stainless steel
329.104	1/2 double scrim - Stainless steel
91.210	Aluminum black painted "C" clamp to hang fixtures overhead and for mounting on pipe with diameters up to 52 mm. (2"), with safety pin (no adapters)
93.102	Extruded black "C" clamp with M 12 threaded stud
93.103	Extruded black "C" clamp with M 10 threaded stud
20.100	Safety cable 800 mm. long with 4 mm. diameter steel rope and safety catch.
LT320.110.40	Steel tube Manual Operated stirrup with 28,57 mm. spigot (B.S. 1 1/8"), with top end for attachment to "C" clamp.
LT320.300.40	Steel tube Manual Operated stirrup with 28,00 mm. spigot (D.I.N 1 1/9")
LT320.220.40	Steel tube Manual Operated stirrup with M 12 Threaded hole
LT321.110.40	Pole operated stirrup with 28,57 mm. spigot (B.S. 1 1/8"), with top end for attachment to "C" clamp.
321.300.40	Pole operated stirrup with 28,00 mm. spigot (D.I.N 1 1/9")