

## // SOFT LED 2



Vari-White at C.C.T. (Correlated Color Temperature) balanced to 2,800°K - 120W (CRI>95 - TlCl>96)

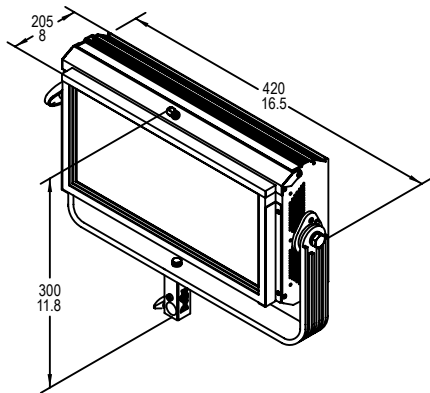
Illumination center values at the following distances

|  | 2 mt<br>6.6 ft                 | 3 mt<br>9.8 ft     | 5 mt<br>16.4 ft    |
|--|--------------------------------|--------------------|--------------------|
| SL2 VW at 2,800°K w/o Front Accessories<br>Central Light intensity (Candle Power)    | 3,150 cd<br>788 lux<br>73.2 FC | 350 lux<br>32.5 FC | 126 lux<br>11.7 FC |
| SL2 VW at 2,800°K with Medium Black H.Comb<br>Central Light intensity (Candle Power) | 2,205 cd<br>551 lux<br>51.2 FC | 245 lux<br>22.8 FC | 88 lux<br>8.2 FC   |
| SL2 VW at 2,800°K with Narrow Black H.Comb<br>Central Light intensity (Candle Power) | 1,800 cd<br>450 lux<br>41.8 FC | 200 lux<br>18.6 FC | 72 lux<br>6.7 FC   |

Vari-White at C.C.T. (Correlated Color Temperature) balanced to 6,500°K - 120W (CRI>95 - TlCl>96)

Illumination center values at the following distances

|  | 2 mt<br>6.6 ft                 | 3 mt<br>9.8 ft     | 5 mt<br>16.4 ft    |
|--|--------------------------------|--------------------|--------------------|
| SL2 VW at 6,500°K w/o Front Accessories<br>Central Light intensity (Candle Power)    | 3,330 cd<br>833 lux<br>77.4 FC | 370 lux<br>34.4 FC | 133 lux<br>12.4 FC |
| SL2 VW at 6,500°K with Medium Black H.Comb<br>Central Light intensity (Candle Power) | 2,331 cd<br>583 lux<br>54.2 FC | 259 lux<br>24.1 FC | 93 lux<br>8.6 FC   |
| SL2 VW at 6,500°K with Narrow Black H.Comb<br>Central Light intensity (Candle Power) | 1,899 cd<br>475 lux<br>44.1 FC | 211 lux<br>19.6 FC | 76 lux<br>7.0 FC   |



C.C.T. (Correlated Color Temperature) balanced to match 3,200°K TUNGSTEN LAMPS - 120W (CRI>92)

Illumination center values at the following distances

|   | 2 mt<br>6.6 ft                 | 3 mt<br>9.8 ft     | 5 mt<br>16.4 ft    |
|---|--------------------------------|--------------------|--------------------|
| SL2 Tungsten w/o Front Accessories<br>Central Light intensity (Candle Power)    | 2,880 cd<br>720 lux<br>66.9 FC | 320 lux<br>29.7 FC | 115 lux<br>10.7 FC |
| SL2 Tungsten with Medium Black H.Comb<br>Central Light intensity (Candle Power) | 2,016 cd<br>504 lux<br>46.8 FC | 224 lux<br>20.8 FC | 81 lux<br>7.5 FC   |
| SL2 Tungsten with Narrow Black H.Comb<br>Central Light intensity (Candle Power) | 1,638 cd<br>410 lux<br>38.1 FC | 182 lux<br>16.9 FC | 66 lux<br>6.1 FC   |

C.C.T. (Correlated Color Temperature) balanced to match 5,600°K DAYLIGHT LAMPS - 120W (CRI>92)

Illumination center values at the following distances

|   | 2 mt<br>6.6 ft                 | 3 mt<br>9.8 ft     | 5 mt<br>16.4 ft    |
|---|--------------------------------|--------------------|--------------------|
| SL2 Daylight w/o Front Accessories<br>Central Light intensity (Candle Power)    | 3,060 cd<br>765 lux<br>71.1 FC | 340 lux<br>31.6 FC | 122 lux<br>11.3 FC |
| SL2 Daylight with Medium Black H.Comb<br>Central Light intensity (Candle Power) | 2,142 cd<br>536 lux<br>49.8 FC | 238 lux<br>22.1 FC | 86 lux<br>8 FC     |
| SL2 Daylight with Narrow Black H.Comb<br>Central Light intensity (Candle Power) | 1,746 cd<br>437 lux<br>40.6 FC | 194 lux<br>18 FC   | 70 lux<br>6.5 FC   |

BEAM COVERAGE ON SOFT LED 2 - 120W

|   |        |                    |                    |                     |
|---|--------|--------------------|--------------------|---------------------|
| Light beam Width with Beam Angle<br>w/o accessories           | 110.0° | 5.71 mt<br>18.7 ft | 8.57 mt<br>28.1 ft | 14.28 mt<br>46.8 ft |
| Light beam Height with Beam Angle<br>w/o accessories          | 100.0° | 4.77 mt<br>15.6 ft | 7.15 mt<br>23.4 ft | 11.92 mt<br>38.1 ft |
| Light beam Width with Beam Angle<br>with Medium Black H.Comb  | 60.0°  | 2.31 mt<br>7.6 ft  | 3.46 mt<br>11.3 ft | 5.77 mt<br>18.8 ft  |
| Light beam Height with Beam Angle<br>with Medium Black H.Comb | 55.0°  | 2.08 mt<br>6.8 ft  | 3.12 mt<br>10.2 ft | 5.21 mt<br>17.1 ft  |
| Light beam Width with Beam Angle<br>with Narrow Black H.Comb  | 35.0°  | 1.26 mt<br>4.1 ft  | 1.89 mt<br>6.2 ft  | 3.15 mt<br>10.3 ft  |
| Light beam Height with Beam Angle<br>with Narrow Black H.Comb | 35.0°  | 1.26 mt<br>4.1 ft  | 1.89 mt<br>6.2 ft  | 3.15 mt<br>10.3 ft  |

**PHOTOMETRIC DATA**  
**PRELIMINARY INFORMATION**